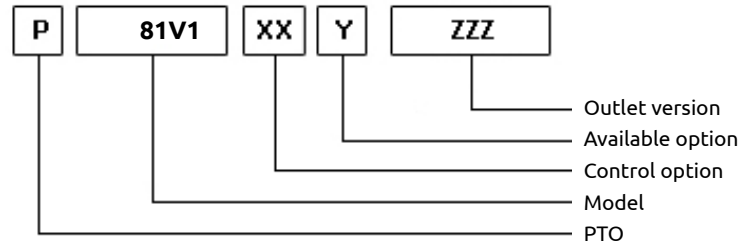
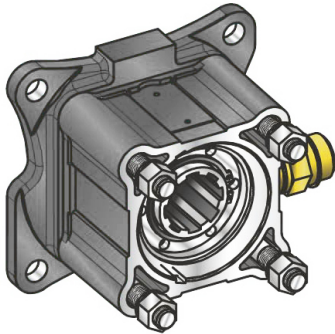


POSSIBLE SOLUTIONS



22/06/2016

TEC. SPECIFICATIONS

<b>Status</b>	In production	<b>Revision</b>	1
<b>Torque (NM)</b>	600	<b>Replaces</b>	2352
<b>Int. Ratio</b>	1	<b>Replaced by</b>	
<b>Teeth number</b>	12		

CONTROL TYPE HYDROCAR

Electric  
  Hydraulic  
  Mechanic  
  Fixed engagement  
 Pneumatic  
 Vacuum system

CONTROL VERSIONS (XX)

Type	81Z1	Description
P (Pneumatic)	1	#Cmd. M12x1.5 con raccordo
P (Pneumatic)	2	#Cmd. M12x1.5 senza racc.

AVAILABLE OPTIONS (Y)

81Z1	Description	Lubr. Kit	Switch Kit	Reinforced
0	#Non presente			<input checked="" type="checkbox"/>
4	#Con kit interrut. Kostal		194KSP41000	<input checked="" type="checkbox"/>
5	#Con kit interrut. Merit		194KSP19000	<input checked="" type="checkbox"/>
6	#Con kit interrut. T.D.S.		194KSP40000	<input checked="" type="checkbox"/>

OUTLET VERSIONS (ZZZ)

81Z1	Description
204	Pump drive SE 4-Bolts



# 81V1

#PTO POS. H. D. VOLVO SR1000 -  
SR 2000

Conversion kit

Flange kit

Lubrication kit

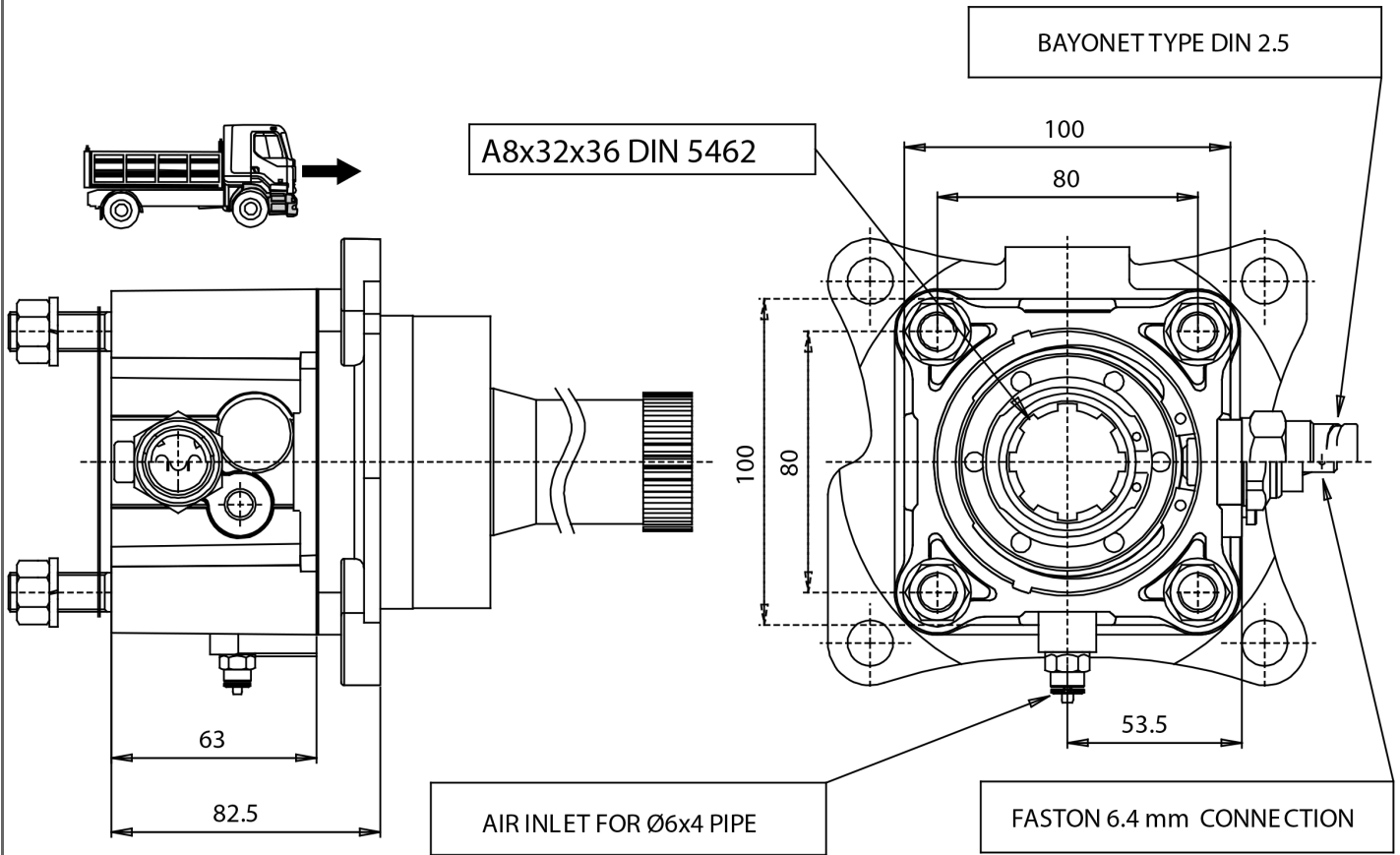
Switch kit

81Z1	Description
194KSP19000	#DIN2.5 M16x1.5 N.C.
194KSP40000	#TDS M 16x1.5 N.C.
194KSP41000	#EATON N.C.

Bracket kit

ELECTRIC KITS

TECH.PICTURE



EXPLODED VIEW

