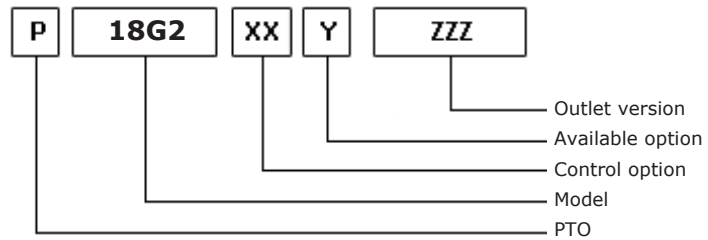
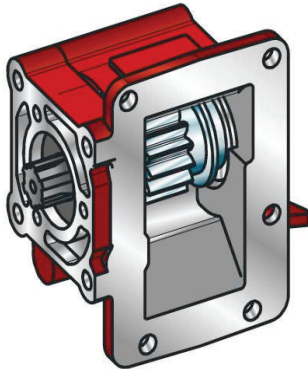




POSSIBLE SOLUTIONS



22/04/2014

TEC. SPECIFICATIONS

	Outlet 1	
Torque (NM)	160	Replaces
Int. Ratio	1,00	Replaced by
Teeth number	16	

CONTROL TYPE HYDROCAR

Electric Hydraulic Mechanical Fixed engagement Pneumatic Vacuum system

CONTROL VERSIONS (XX)

Type	82z1	Description
E	1	#Comando 12 Volt
E	2	#Comando 24 Volt
E	3	#Comando Solenoide Rinf12V
E	4	#Comando Solenoide Rinf24V
E	5	#Com. El.KES5E 12V PLAST.
E	6	#Com. El.KES5E 24V PLAST.
E	7	#Com. El.KES5E 12V ZAMA
E	8	#Com. El.KES5E 24V ZAMA
E	9	ECO150 12V.
M	2	#Comando per cavo I20
M	3	#Comando per cavo TXZ
P	1	#Comando Pneum.1/8"GAS
H	1	#Comando a depressione

AVAILABLE OPTIONS (Y)

82z1	Description	Lubr. Kit	Switch Kit	Reinforced
1	#Tappo ispezione			
3	#Con Interruttore MERIT		194KSP17000	
4	#Con Interruttore TDS		194KSP28000	

OUTLET VERSIONS (ZZZ)

82z1	Description
201	3-HOLE PUMP REAR UNI
204	Pump drive SE 4-Bolts
501	FL SPICER 1120 REAR SIDE



Hydrocar[®]
Hydraulic Energy

18G2

#PTO LAT. L. D. MITSUBISHI MO25S5

OUTLET VERSIONS (ZZZ)

82z1	Description
503	FL SPICER 1300 REAR SIDE
511	FL DIN10 REAR SIDE
512	FL DIN00 REAR SIDE



Hydrocar
Hydraulic Energy

18G2

#PTO LAT. L. D. MITSUBISHI MO25S5

Conversion kit

Pneumatic/Mechanic
Mechanic/Pneumatic
Electric control

#DIN 5462 (SE) da UNI

606X01K0000

Flange kit

82z1 Description

197KFL01000	SPICER 1120 21UNI222
197KFL03000	SPICER 1300 21UNI222
197KFL11000	DIN10 21UNI222
197KFL12000	DIN00 21UNI222

Switch kit

82z1 Description

194KSP09000	Sipea 7820
194KSP17000	DIN 2.5 M16x1.5 N.O.
194KSP28000	#TDS M16x1.5 N.O.

Bracket kit

82z1 Description

190ST0018G0	#Cavo I20 su serie 18
190ST0018T0	#Cavo TXZ su serie 18

ELECTRIC KITS

82z1 Description

194KE069000	#KIT KES5 PER CAMBIO MITSUBISHI AMT - DUONIC
194KE074000	PTO GEAR KIT 12V VACUUM MITS. AMT or ALL with PLC
194KE075000	PTO GEAR KIT 12V VACUUM MITS. AMT or ALL with PLC



Hydrocar
Hydraulic Energy

18G2

#PTO LAT. L. D. MITSUBISHI MO25S5

MATCHINGS

Brand	Range	Model	1st Gear ratio	Outlet	Application
MITSUBISHI		M025 S5	4,28	Left	M1
MITSUBISHI		M025 S5	4,75	Left	M1
MITSUBISHI		M027 S5	4,75	Left	M3
MITSUBISHI		M038 S6 (MT)	5,40	Left	M3
MITSUBISHI	DUONIC	M038 S5 (AMT)	5,49	Left	M3

