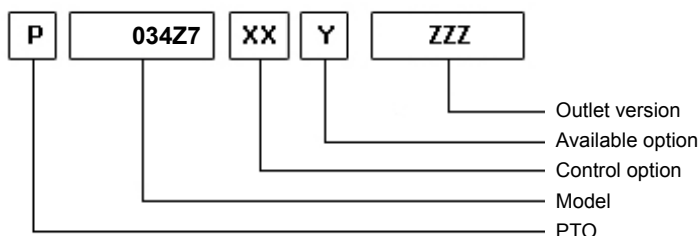
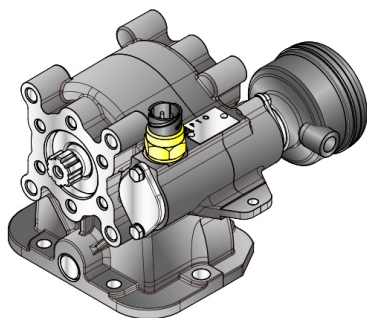


POSSIBLE SOLUTIONS


15/02/2017

TEC. SPECIFICATIONS

Status	In production	Revision	0
	Outlet 1		
Torque (NM)	200	Replaces	028Z7
Int. Ratio	1,33	Replaced by	
Teeth number	34		

CONTROL TYPE HYDROCAR

Electric
 Hydraulic
 Mechanic
 Fixed engagement
 Pneumatic
 Vacuum system

CONTROL VERSIONS (XX)

Type	P17A6	Description
E (Electric)	7	#Com. El. KES5E 12V ZAMA
E (Electric)	9	#Com. El. ECO150 12V
M (Mechanic)	5	#Comando Meccanico per TXZ
P (Pneumatic)	1	#Comando Pneumat. 1/8" GAS
H (Vacuum system)	1	#Comando a Depressione

AVAILABLE OPTIONS (Y)

P17A6	Description	Lubr. Kit	Switch Kit	Reinforced
1	#Tappo ispezione			<input type="checkbox"/>
5	#Con Interrutt. Merit n.c.		194KSP19000000	<input type="checkbox"/>

OUTLET VERSIONS (ZZZ)

P17A6	Description
201	3-HOLE PUMP REAR UNI
501	FL SPICER 1120 REAR SIDE
503	FL SPICER 1300 REAR SIDE
511	FL DIN10 REAR SIDE
512	FL DIN00 REAR SIDE

INTERPUM HYDRAULICS

Conversion kit

Pneumatic/Mechanic	#DIN 5462 (SE) da UNI 606X01K0000000
Mechanic/Pneumatic	
Electric control	

Flange kit

P17A6	Description
197KFL01000000	SPICER 1120 21UNI222
197KFL03000000	SPICER 1300 21UNI222
197KFL11000000	DIN10 21UNI222
197KFL12000000	DIN00 21UNI222

Lubrication kit

Switch kit

P17A6	Description
194KSP19000000	#DIN2.5 M16x1.5 N.C.

Bracket kit

ELECTRIC KITS

TECH.PICTURE

