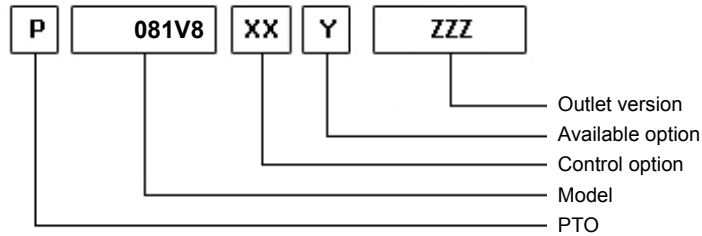
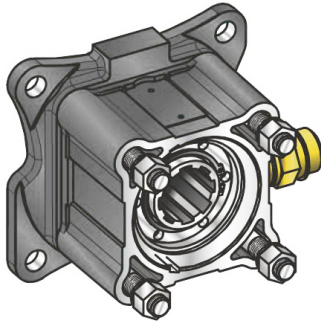


POSSIBLE SOLUTIONS



22/06/2016

TEC. SPECIFICATIONS

| | | | |
|---------------------|---------------|--------------------|---|
| Status | In production | Revision | 1 |
| Torque (NM) | 1000 | Replaces | |
| Int. Ratio | 1 | Replaced by | |
| Teeth number | 12 | | |

CONTROL TYPE HYDROCAR

Electric
 Hydraulic
 Mechanic
 Fixed engagement
 Pneumatic
 Vacuum system

CONTROL VERSIONS (XX)

| Type | P17A6 | Description |
|---------------|-------|---------------------------|
| P (Pneumatic) | 1 | #Cmd M12x1.5 con raccordo |
| P (Pneumatic) | 2 | #Cmd M12x1.5 senza racc. |

AVAILABLE OPTIONS (Y)

| P17A6 | Description | Lubr. Kit | Switch Kit | Reinforced |
|-------|----------------------------|-----------|----------------|-------------------------------------|
| 0 | #Non presente | | | <input checked="" type="checkbox"/> |
| 4 | #Con Kit interrut. Kostal | | 194KSP41000000 | <input checked="" type="checkbox"/> |
| 5 | #Con Kit interruttoreMERIT | | 194KSP19000000 | <input checked="" type="checkbox"/> |
| 6 | #Con Kit interruttoreTDS | | 194KSP40000000 | <input checked="" type="checkbox"/> |

OUTLET VERSIONS (ZZZ)

| P17A6 | Description |
|-------|-------------|
| | |

Conversion kit

| | |
|--------------------|--------------------------------------|
| Pneumatic/Mechanic | #UNI da DIN 5462 (SE) 606X02Z0000000 |
| Mechanic/Pneumatic | |
| Electric control | |

Flange kit

| P17A6 | Description |
|----------------|--------------------|
| 606X03F0500000 | DIN 00 x PTO 0081 |
| 606X03F0600000 | DIN 10 x PTO 0081 |
| 606X03F0700000 | SP 1120 x PTO 0081 |
| 606X03F0800000 | SP 1300 x PTO 0081 |
| 606X03F0900000 | KIOKUTO "B"x 0081 |
| 606X03F1000000 | SP 1400 x PTO 0081 |

Lubrication kit

Switch kit

| P17A6 | Description |
|----------------|----------------------|
| 194KSP19000000 | #DIN2.5 M16x1.5 N.C. |
| 194KSP40000000 | #TDS M 16x1.5 N.C. |
| 194KSP41000000 | #EATON N.C. |

Bracket kit

ELECTRIC KITS

TECH.PICTURE

